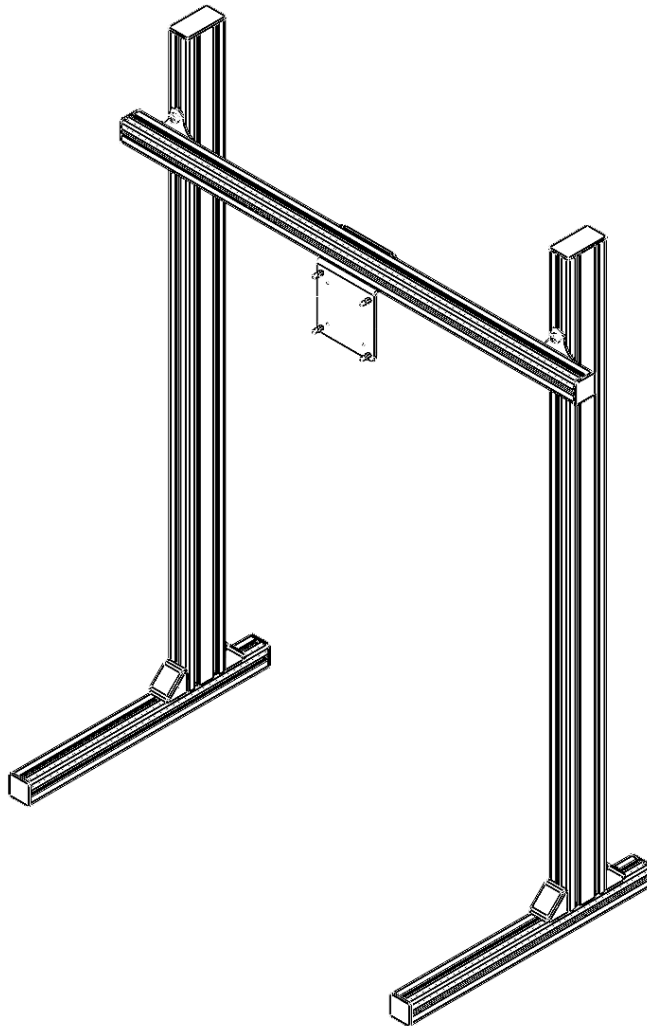
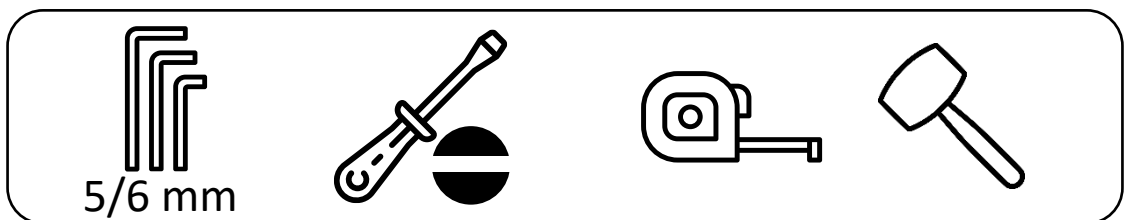


# SINGLE MONITOR STAND

## INSTRUCTION MANUAL



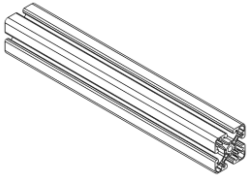
REQUIRED TOOLS:



---

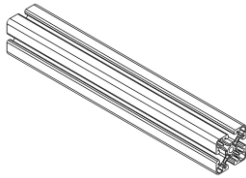
**TREQ**

**1**



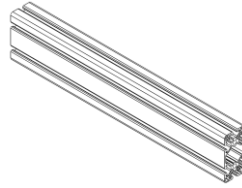
Profile 4040 L=500

**2x**



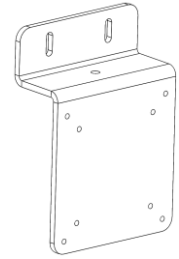
Profile 4040 L=950

**1x**



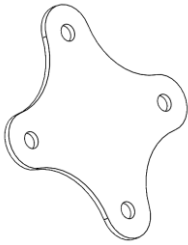
Profile 8040 L=1185

**2x**



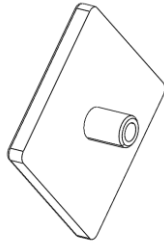
Monitor Bracket

**1x**



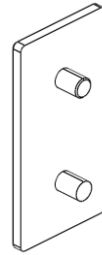
Connector Plate

**2x**



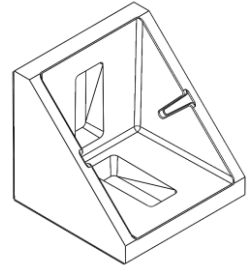
Cover 4040

**6x**



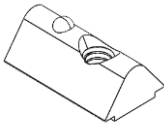
Cover 8040

**2x**



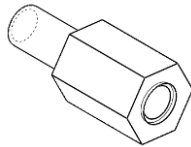
Corner 4040

**4x**



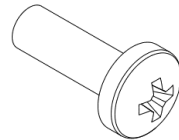
Click-in Nut M8

**16x**



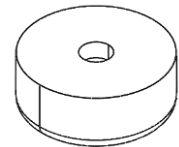
Spacer M4x10

**4x**



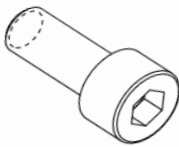
M4x12

**4x**



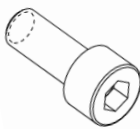
Rubber Foot 40

**4x**



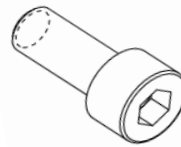
M6x16

**2x**



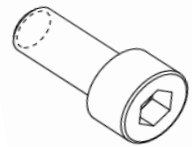
M5x12

**4x**



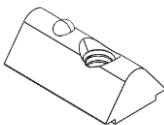
M8x16

**8x**



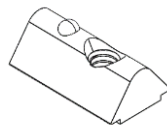
M8x12 (Black)

**8x**



Click-in Nut M6

**2x**



Click-in Nut M5

**4x**



Plain Washer M6

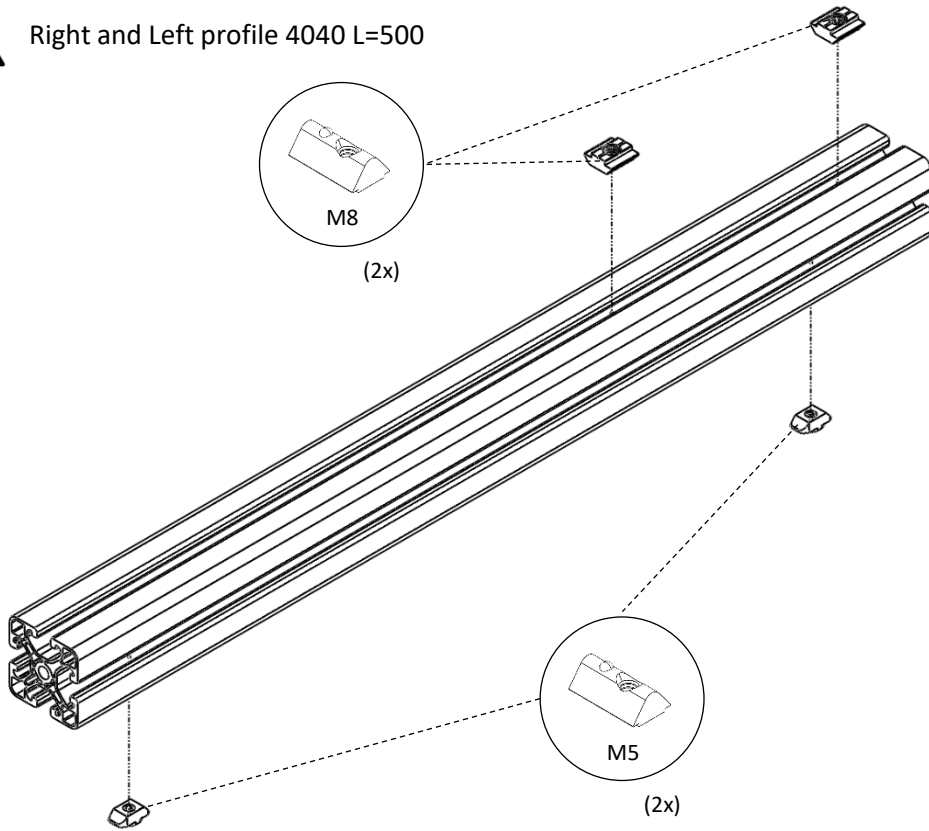
**2x**

**TREQ**

2



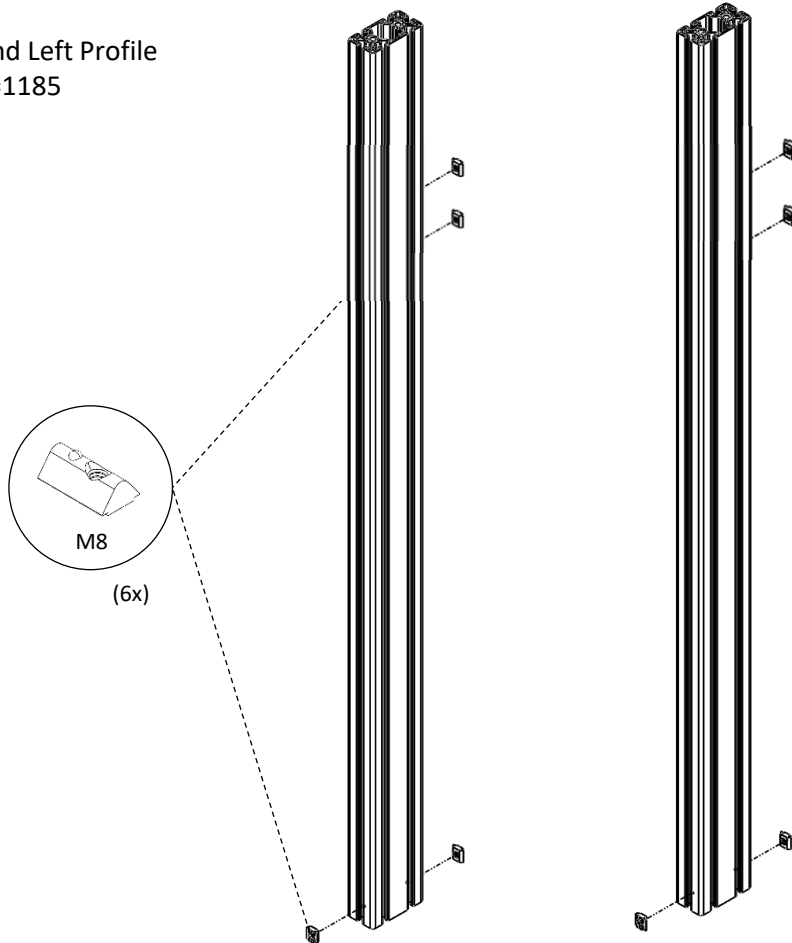
Right and Left profile 4040 L=500



3



Right and Left Profile  
8040 L=1185

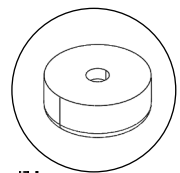


**TREQ**

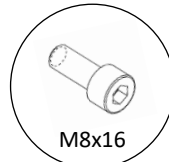
4



Assemble the stands for the Tripple Monitor Mount

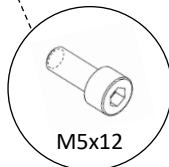


(4x)



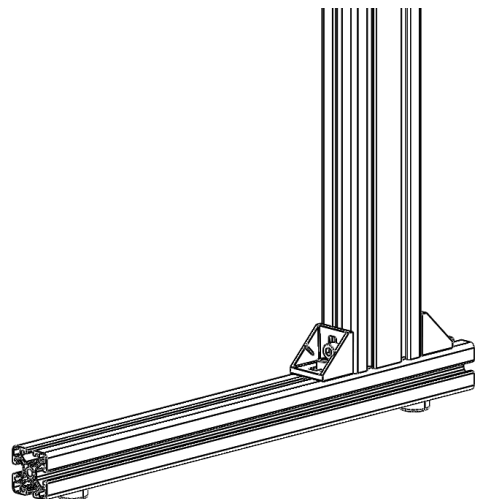
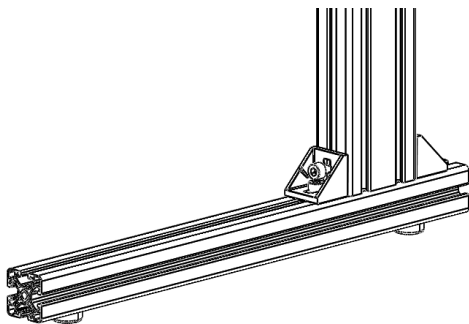
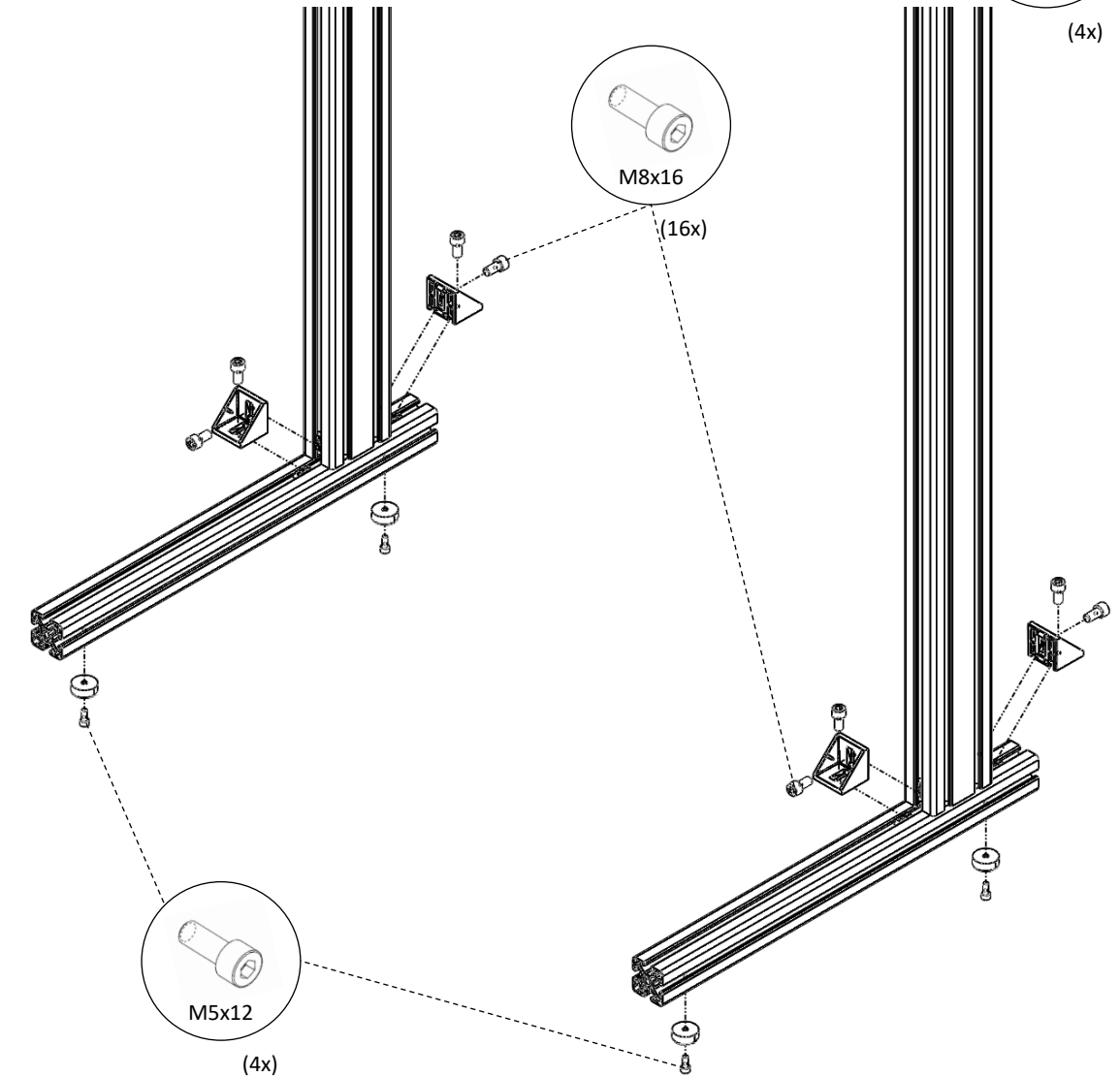
M8x16

(16x)



M5x12

(4x)

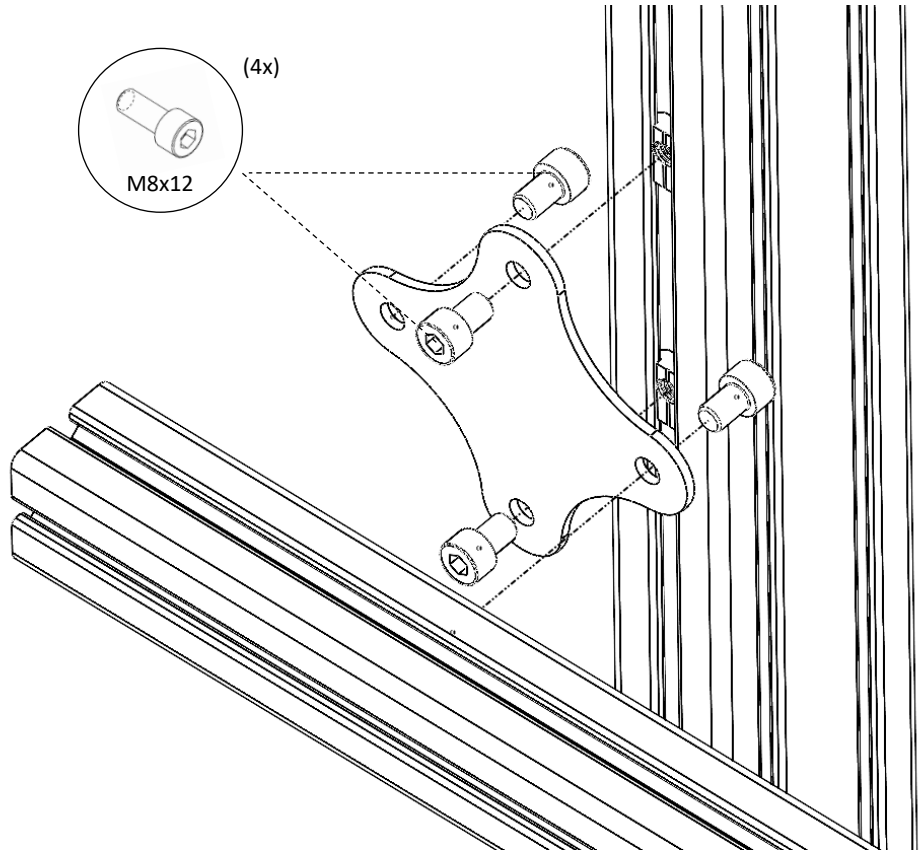


**TREQ**

5



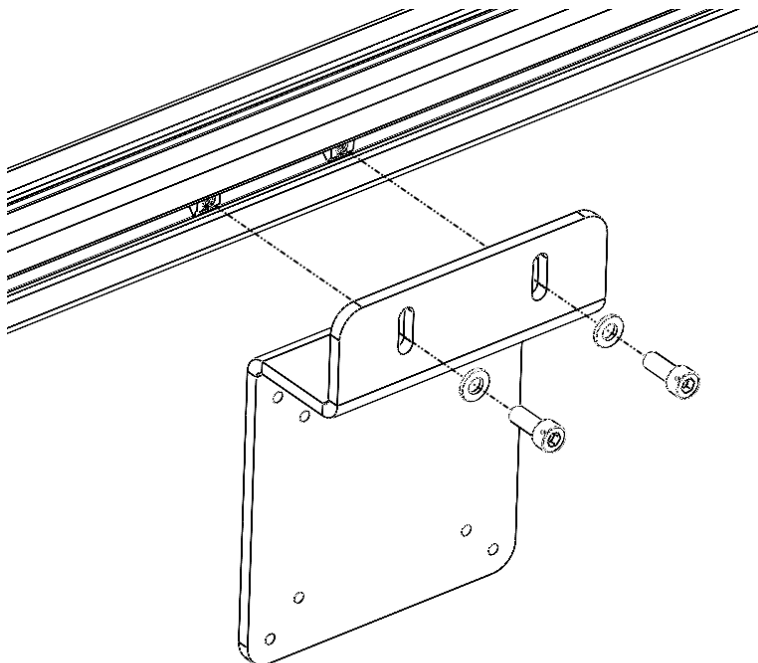
Mount the 4040 L=950 profile to the two 8040 L=1185 using the two connector plates And the black M8x12 bolts.



6



Mount the VESA bracket to the L=950 profile using the M6 nuts, bolts and washers.

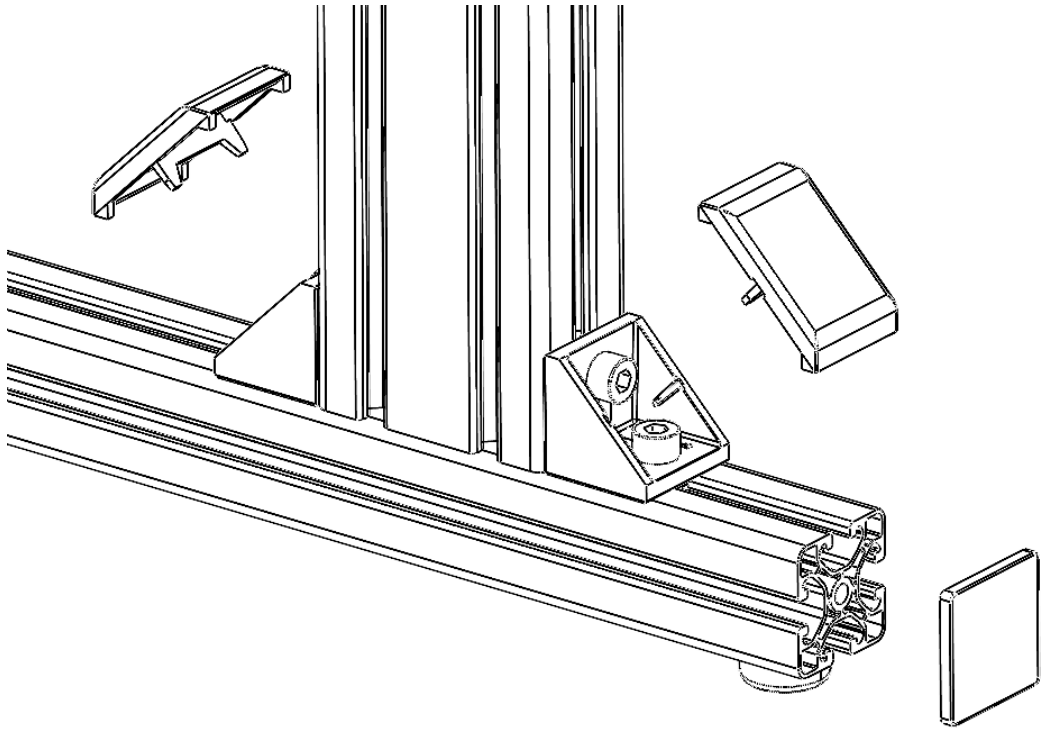


**TREQ**

7



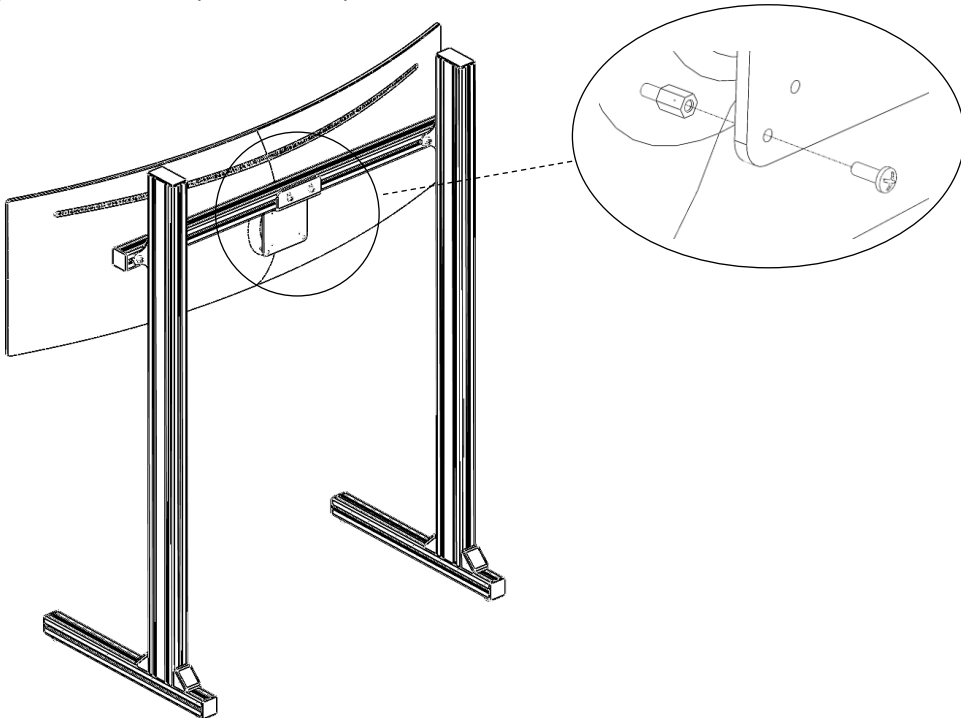
Mount all cover caps to the open parts of corner brackets and/or profiles.



6



You are ready to mount your monitor. Use the M4 bolts provided. The spacers are optional.



**TREQ**